



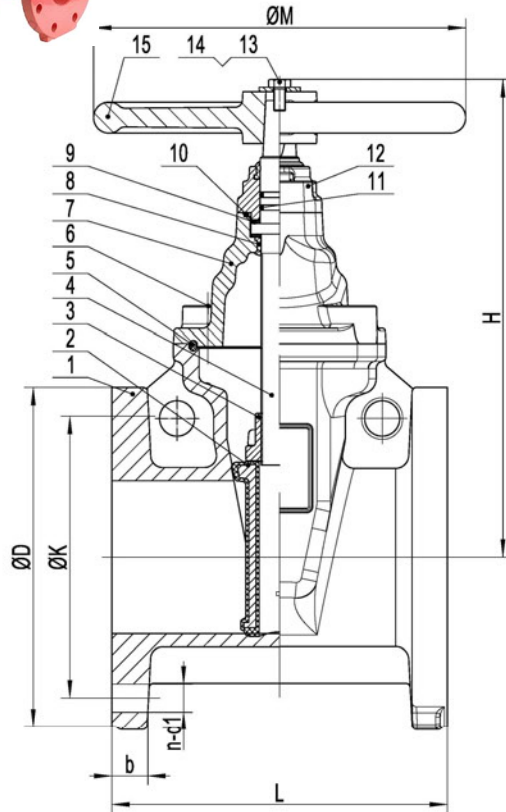
**Non-rising Stem Resilient Seated Gate Valves Flange End With Handwheel  
AWWA C515**

**C515-PW300**

**1110**



**INDUSTRIAL  
CHOICE**

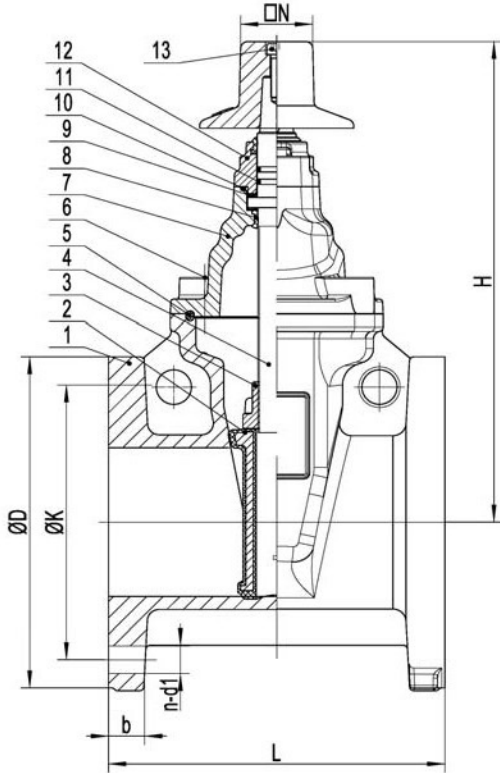


SPECIFICATIONS			
SIZE	2" - 24"		
WORKING PRESSURE	300PSI		
DESIGN	AWWA C515		
FACE TO FACE	ASME B18.10		
END FLANGE	ASME-B18.1 CIASS125		
TESTS	AWWA C515		
STANDARD MATERIALS OF MAIN PARTS			
ITEM	PART NAME	MATERIAL	STANDARD
1	Body	Ductile Iron	ASTM A536 65-45-12
2	Wedge	DI+EPDM	ASTM A536 65-45-12
3	Stem Nut	Bronze	ASTM C61400
4	Stem	Stainless Steel	ASTM SS304
5	Bonnet Gasket	EPDM	
6	Screw	Steel	ASTM A307
7	Bonnet	Ductile Iron	ASTM A536 65-45-12
8	O Ring	EPDM	
9	Sliding Disc	POM	
10	O Ring	EPDM	
11	O Ring	EPDM	
12	Upper Cover	Ductile Iron	ASTM A536 65-45-12
13	Bolts	Stainless Steel	ASTM SS304
14	Plain Washer	Stainless Steel	ASTM SS304
15	Handwheel	Ductile Iron	ASTM A536 65-45-12

DIEMENSIONS							
SIZE Inch	OUTLINE (Inch)			END FLANGE CIASS125 (Inch)			
	L	H	ΦM	D	K	n-d1	b
2	7.01	10.13	7.00	6.00	4.75	4-0.75	0.62
2 1/2	7.48	10.13	7.00	7.00	5.50	4-0.75	0.69
3	7.99	10.78	7.00	7.50	6.00	4-0.75	0.75
4	9.02	12.67	10.00	9.00	7.50	8-0.75	0.94
5	10.00	14.36	10.00	10.00	8.50	8-0.88	0.94
6	10.51	16.61	12.00	11.00	9.50	8-0.88	1.00
8	11.50	20.67	14.00	13.50	11.75	8-0.88	1.12
10	13.00	25.03	16.00	16.00	14.25	12-1.00	1.19
12	14.00	28.31	16.00	18.00	17.00	12-1.00	1.25
14	15.00	33.15	20.00	21.00	18.75	12-1.12	1.38
16	15.98	37.01	20.00	23.50	21.25	16-1.12	1.44
18	17.01	41.14	24.00	25.00	22.75	16-1.25	1.56
20	17.99	45.30	28.00	27.50	25.00	20-1.25	1.69
24	20.00	51.73	28.00	32.00	29.50	20-1.38	1.88

**Non-rising Stem Resilient Seated Gate Valves Flange End With Wrench Nuts  
AWWA C515**

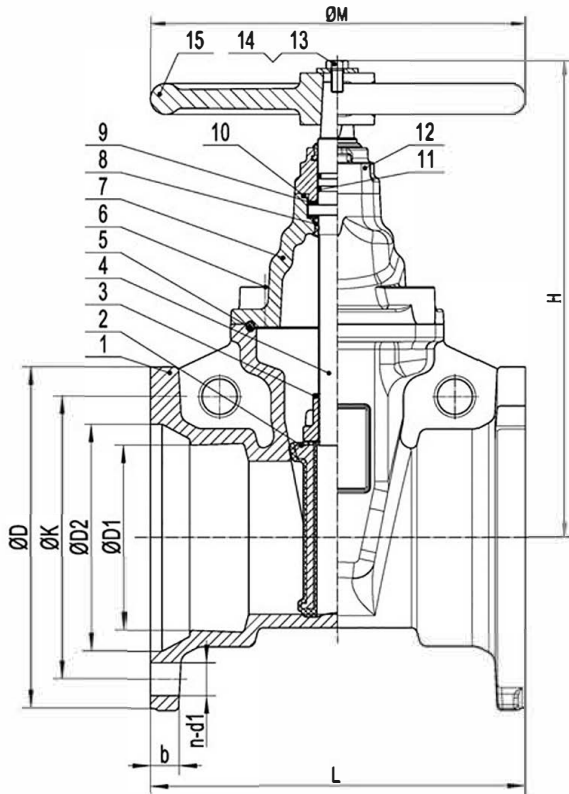
**1110-Operator nut**



SPECIFICATIONS			
SIZE	2" - 24"		
WORKING PRESSURE	300PSI		
DESIGN	AWWA C515		
FACE TO FACE	ASME B16.10		
END FLANGE	ASME-B16.1 CIASS125		
TESTS	AWWA C515		
STANDARD MATERIALS OF MAIN PARTS			
ITEM	PART NAME	MATERIAL	STANDARD
1	Body	Ductile Iron	ASTM A536 65-45-12
2	Wedge	DI+EPDM	ASTM A536 65-45-12
3	Stem Nut	Bronze	ASTM C61400
4	Stem	Stainless Steel	ASTM SS304
5	Bonnet Gasket	EPDM	
6	Screw	Steel	ASTM A307
7	Bonnet	Ductile Iron	ASTM A536 65-45-12
8	O Ring	EPDM	
9	Sliding Disc	POM	
10	O Ring	EPDM	
11	O Ring	EPDM	
12	Upper Cover	Ductile Iron	ASTM A536 65-45-12
13	Bolts	Stainless Steel	ASTM SS304
14	Plain Washer	Stainless Steel	ASTM SS304
15	Wrench Nuts	Ductile Iron	ASTM A536 65-45-12

SIZE Inch	OUTLINE (Inch)			END FLANGE CIASS125 (Inch)			
	L	H	ØN	D	K	n-d1	b
2	7.01	10.75	1.94	6.00	4.75	4-0.75	0.62
2 1/2	7.48	10.75	1.94	7.00	5.50	4-0.75	0.69
3	7.99	11.28	1.94	7.50	6.00	4-0.75	0.75
4	9.02	13.10	1.94	9.00	7.50	8-0.75	0.94
5	10.00	14.86	1.94	10.00	8.50	8-0.88	0.94
6	10.51	17.14	1.94	11.00	9.50	8-0.88	1.00
8	11.50	20.70	1.94	13.50	11.75	8-0.88	1.12
10	13.00	25.36	1.94	16.00	14.25	12-1.00	1.19
12	14.00	28.42	1.94	19.00	17.00	12-1.00	1.25
14	15.00	33.15	1.94	21.00	18.75	12-1.12	1.38
16	15.98	37.01	1.94	23.50	21.25	16-1.12	1.44

## Non-rising Stem Resilient Seated Gate Valves Mechanical Joint End With Handwheel AWWA C515-PW300MJ WATER POTABLE



SPECIFICATIONS			
SIZE	3" - 24"		
WORKING PRESSURE	300PSI		
DESIGN	AWWA C515		
FACE TO FACE	ASME B16.1		
END MECHANICAL JOINT	AWWA C153/A21.53		
TESTS	AWWA C515		
STANDARD MATERIALS OF MAIN PARTS			
ITEM	PART NAME	MATERIAL	STANDARD
1	Body	Ductile Iron	ASTM A536 65-45-12
2	Wedge	DI+EPDM	ASTM A536 65-45-12
3	Stem Nut	Bronze	ASTM C61400
4	Stem	Stainless Steel	ASTM SS304
5	Bonnet Gasket	EPDM	
6	Screw	Steel	ASTM A307
7	Bonnet	Ductile Iron	ASTM A536 65-45-12
8	O Ring	EPDM	
9	Sliding Disc	POM	
10	O Ring	EPDM	
11	O Ring	EPDM	
12	Upper Cover	Ductile Iron	ASTM A536 65-45-12
13	Bolts	Stainless Steel	ASTM SS304
14	Plain Washer	Stainless Steel	ASTM SS304
15	Handwheel	Ductile Iron	ASTM A536 65-45-12

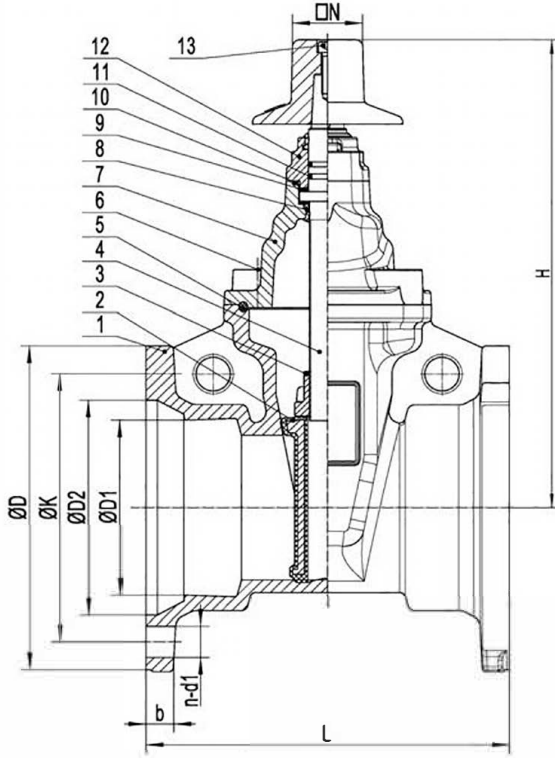
DIEMENSIONS									
SIZE Inch	OUTLINE (Inch)			END MECHANICAL JOINT (Inch)					
	L	H	ØM	D	K	D2	D1	n-d1	b
3	9.00	10.78	7.00	7.62	6.19	4.94	4.06	4-0.75	0.58
4	10.00	12.67	10.00	9.06	7.50	6.02	4.90	4-0.88	0.60
6	11.50	16.61	12.00	11.06	9.50	8.12	7.00	6-0.88	0.63
8	11.50	20.67	14.00	13.31	11.75	10.27	9.15	6-0.88	0.66
10	13.00	25.03	16.00	15.62	14.00	12.34	11.20	8-0.88	0.70
12	14.00	28.31	16.00	17.88	16.25	14.44	13.30	8-0.88	0.73
14	15.00	33.15	19.69	20.25	18.75	16.54	15.44	10-0.88	0.79
16	16.00	37.01	23.62	22.50	21.00	18.64	17.54	12-0.88	0.85
18	17.00	41.14	23.62	24.83	23.25	20.74	19.64	12-0.88	1.00
20	18.00	45.30	27.56	27.08	22.50	22.84	21.74	14-0.88	1.02
24	20.00	51.73	27.56	31.58	30.00	27.04	25.94	16-0.88	1.02

**Non-rising Stem Resilient Seated Gate Valves Mechanical Joint End  
AWWA C515**

1112-Operator nut



**INDUSTRIAL  
CHOICE**



SIZE			
WORKING PRESSURE	300PSI		
DESIGN	AWWA C515		
FACE TO FACE	ASME B16.10		
END MECHANICAL JOINT	AWWA C153/A21.53		
TESTS	AWWA C515		
STANDARD MATERIALS OF MAIN PARTS			
ITEM	PART NAME	MATERIAL	STANDARD
1	Body	Ductile Iron	ASTM A536 65-45-12
2	Wedge	DI+EPDM	ASTM A536 65-45-12
3	Stem Nut	Bronze	ASTM C61400
4	Stem	Stainless Steel	ASTM SS304
5	Bonnet Gasket	EPDM	
6	Screw	Steel	ASTM A307
7	Bonnet	Ductile Iron	ASTM A536 65-45-12
8	O Ring	EPDM	
9	Sliding Disc	POM	
10	O Ring	EPDM	
11	O Ring	EPDM	
12	Upper Cover	Ductile Iron	ASTM A536 65-45-12
13	Bolts	Stain less Steel	ASTM SS304
14	Plain Washer	Stainless Steel	ASTM SS304
15	Wrench Nuts	Ductile Iron	ASTM A536 65-45-12

DIEMENSIONS									
SIZE Inch	OUTLINE (Inch)			END MECHANICAL JOINT (Inch)					
	L	H	DN	D	K	D2	D1	n-d1	b
3	9.50	11.28	1.94	7.62	6.19	4.94	4.06	4-0.75	0.58
4	10.00	13.10	1.94	9.06	7.50	6.02	4.90	4-0.88	0.60
6	11.50	17.14	1.94	11.06	9.50	8.12	7.00	6-0.88	0.63
8	11.50	20.70	1.94	13.31	11.75	10.27	9.15	6-0.88	0.66
10	13.00	25.36	1.94	15.62	14.00	12.34	11.20	8-0.88	0.70
12	14.00	28.42	1.94	17.88	16.25	14.44	13.30	8-0.88	0.73
14	15.00	33.15	1.94	20.25	18.75	16.54	15.44	10-0.88	0.79
16	16.00	37.01	1.94	22.50	21.00	18.64	17.54	12-0.88	0.85