



INDUSTRIAL CHOICE



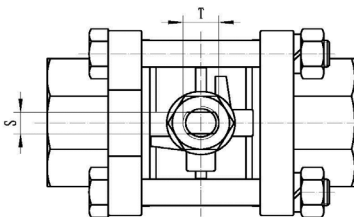
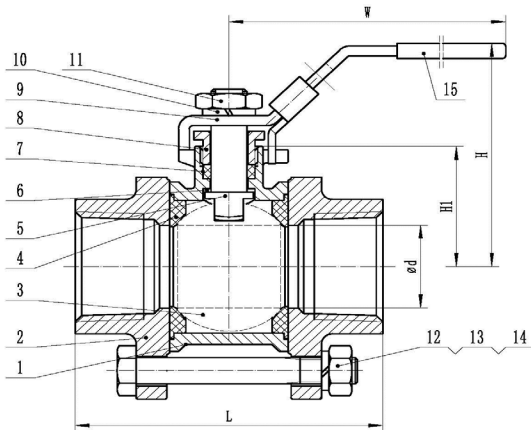
INDUSTRIAL CHOICE IC301 SS316 BALL VALVE

Full Port - Three Piece - FNPT - 1000WP 1/4-2" 800WP 2.5-3" 600WP 4"

-4F to 392F Locking Handle - Investment Casting - Blowout Proof Steam



1/4" (3.18)



Item	Part	Material		
1	Body	ASTM A351 CF8M	ASTM A351 CF8	ASTM A216 WCB
2	Cap	ASTM A351 CF8M	ASTM A351 CF8	ASTM A216 WCB
3	Ball	ANSI 316	ANSI 304	ANSI 304
4	Seat	PTFE	PTFE	PTFE
5	Stem	ANSI 316	ANSI 304	ANSI 304
6	Thrust Washer	PTFE	PTFE	PTFE
7	Packing	PTFE	PTFE	PTFE
8	Gland Nut	ANSI 304	ANSI 304	ANSI 304
9	Handle	ANSI 430	ANSI 430	ANSI 430
10	Washer	ANSI 301	ANSI 301	ANSI 301
11	Nut	ANSI 304	ANSI 304	ANSI 304
12	Blot	ANSI 304	ANSI 304	ANSI 304
13	Washer	ANSI 301	ANSI 301	ANSI 301
14	Nut	ANSI 304	ANSI 304	ANSI 304
15	Handle Sleeve	Plastic	Plastic	Plastic

- FEATURES**
- *Full Port
 - *1000WOG Rating;
 - *The thread ends conform to ANSI B1.20.1 (NPT) DIN2999 & BS 21 ISO 228/1 & ISO 7/1
 - *Blot-out proof stem
 - *Testing according to API-598
 - *Investment casting

4"	96	209	148	100	280	16	20
3"	73	172	129	83	220	12	20
2-1/2"	65	154	120	75	220	12	20
2"	50	116	94	55	155	8.5	12
1-1/2"	38	98	82	48	155	8.5	12
1-1/4"	32	86	74	41	130	6.5	10
1"	25	74	65	35	130	6.5	10
3/4"	20	65	59	29.5	125	5.8	8
1/2"	15	58	52	25.5	100	5	8
3/8"	12.5	52	43	21.5	100	4	6
1/4"	11.6	52	43	21.5	100	4	6
Size	d	L	H	H1	W	S	T



INDUSTRIAL CHOICE

3PC Screwed Ends Ball Valve
1000PSI

IC301