



INDUSTRIAL CHOICE



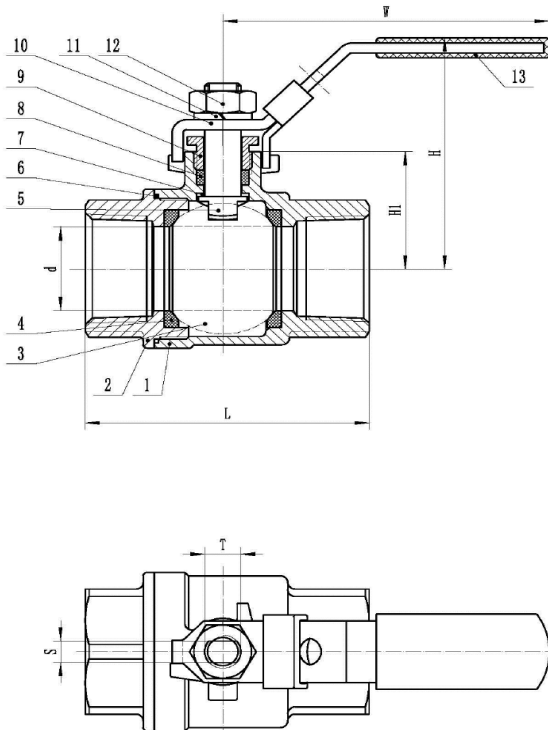
INDUSTRIAL CHOICE IC201 SS316 BALL VALVE

Full Port - Two Piece - FNPT - 1000WP 1/4-2" 800WP 2.5-3" 600WP 4"

-4F to 392F Locking Handle - Investment Casting - Blowout Proof Steam



(1.4" FNPT)



Item	Part	Material		
1	Body	ASTM A351 CF8M	ASTM A351 CF8	ASTM A216 WCB
2	Cap	ASTM A351 CF8M	ASTM A351 CF8	ASTM A216 WCB
3	Ball	ANSI F316	ANSI F304	ANSI F304
4	Seat	PTFE	PTFE	PTFE
5	Stem	ANSI F316	ANSI F304	ANSI F304
6	Body Gasket	PTFE	PTFE	PTFE
7	Thrust Washer	PTFE	PTFE	PTFE
8	Packing	PTFE	PTFE	PTFE
9	Gland Nut	ANSI 304	ANSI 304	ANSI 304
10	Handle	ANSI 430	ANSI 430	ANSI 430
11	Washer	ANSI 304	ANSI 304	ANSI 304
12	Nut	ANSI 304	ANSI 304	ANSI 304
13	Handle Sleeve	Plastic	Plastic	Plastic

FEATURES
 *Full Port
 *1000WOG Rating;
 *The thread ends conform to ANSI B1.20.1 (NPT) DIN2999 & BS 21 ISO 228/1 & ISO 7/1
 *Blow-out proof stem
 *Testing according to API-598
 *Investment casting

Size	d	L	H	H1	W	S	T
4"	96	215	148	100	280	16	22
3"	73	175	129	83	220	12	18
2-1/2"	65	150	120	75	220	12	18
2"	50	123	94	55	155	8.5	12
1-1/2"	38	98	82	48	155	8.5	12
1-1/4"	32	92	74	41	130	6.5	10
1"	25	75	65	35	130	6.5	10
3/4"	20	65	59	29.5	125	5.8	8
1/2"	15	56	52	25.5	100	5	8
3/8"	12.5	48	43	21.5	100	4	6
1/4"	11.6	48	43	21.5	100	4	6



INDUSTRIAL CHOICE

2PC Screwed Ends Ball Valve
 1000PSI (A2NH)
IC201